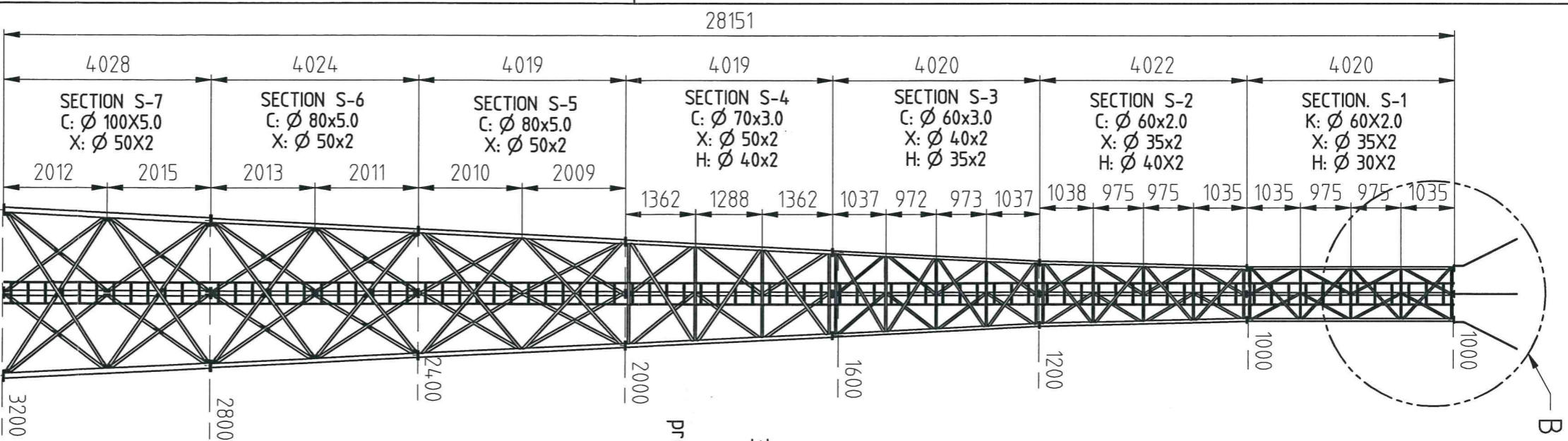


SIDE VIEW 1:100

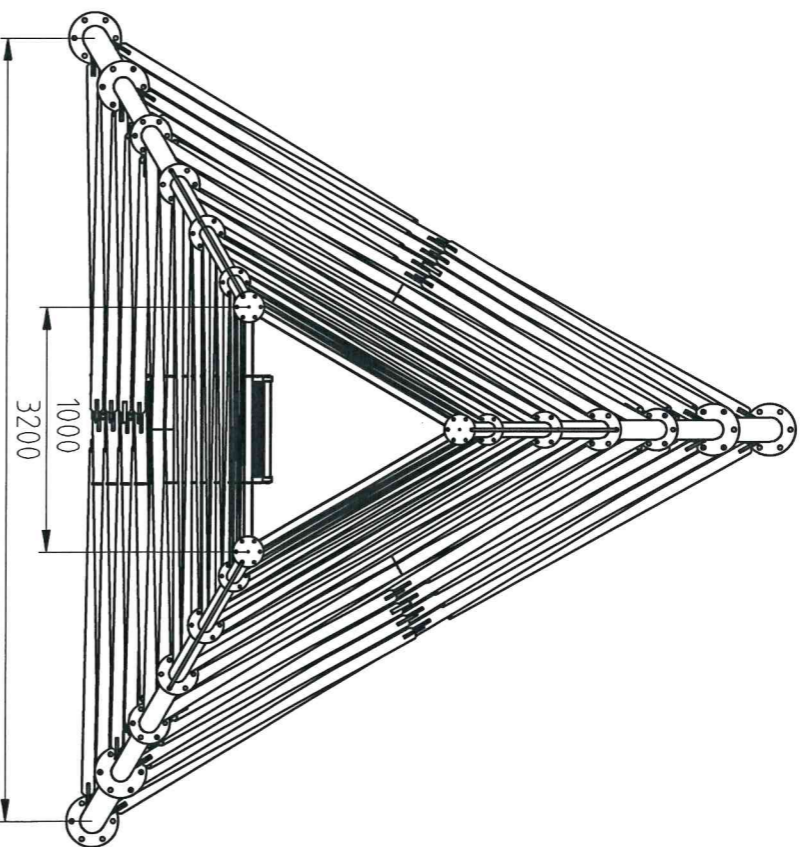


# Assembly drawing

## ALUPro aluminum tower T1000-28

H=28.0m ( W28-10-32)

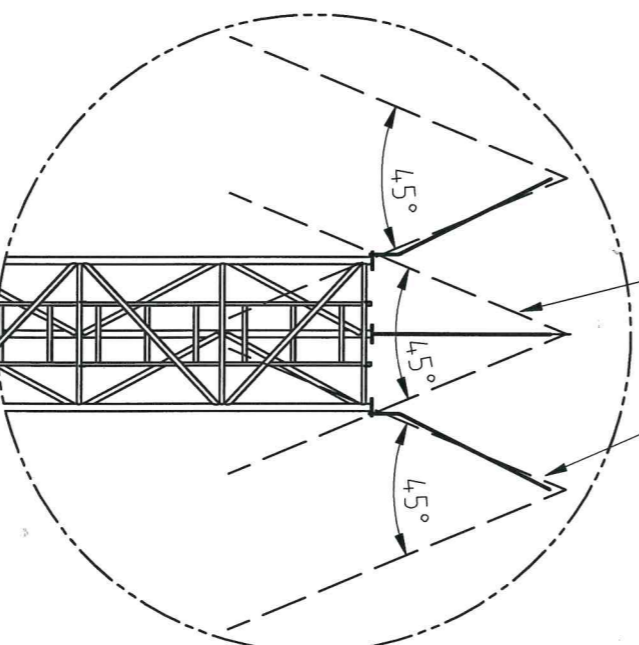
TOP VIEW 1:50



3 x typical lightning rod

Basic technical data

Height: 28m  
Weight: 530kg  
Material: alu AW6063T6/AW6082T6  
Width at the bottom: 3.2m  
Width at the top: 1.0m  
climbing ladder: yes, inside  
section joints: flanges



DETAIL B  
SCALE 1:50

- Available accessories
- securo system (safety for technician)
  - antenna holders (radiolink, sectorial, omni)
  - resting hatches
  - separation crowns
  - cable ladders / trays
  - etc

TOLERANCES (UNLESS OTHERWISE SPECIFIED) ISO 2768-1:1989 "M" SERIES	
	ISO 2768-1:1989 "M" SERIES
ABOVE	0.5 3 6 30 120 400 1000 2000
TO	3 6 30 120 400 1000 2000 4000
TOLERANCE	$\pm 0.1$ $\pm 0.2$ $\pm 0.3$ $\pm 0.5$ $\pm 0.8$ $\pm 1.2$ $\pm 2$

MATERIAL:	AW6063T6/AW6082T6	QUANTITY:	
MACHINE:			
DRAWING PREPARED FOR:	ALUPro		
TITLE:	Tower T1000-28 Assembly		
DRAWING NO.:	2016.06.22.19A		
JOB NUMBER:		SHEET:	1 of 1
DATE:	22-06-2016		
DRAWN BY:	Dwojciechowski		
CHECKED BY:			
3D FILE:			

THIS DRAWING CONTAINS CONFIDENTIAL INFORMATION WHICH IS THE PROPERTY OF ALUPro S.C. COMPANY. THIS DRAWING MAY NOT BE REPRODUCED, TRANSFERRED OR USED, OR ITS CONTENTS DISCLOSED WITHOUT THE PRIOR WRITTEN PERMISSION OF ALUPro S.C. COMPANY

FIRST ANGLE PROJECTION:

ALUPro S.C.

REV: A