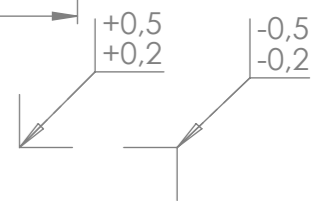
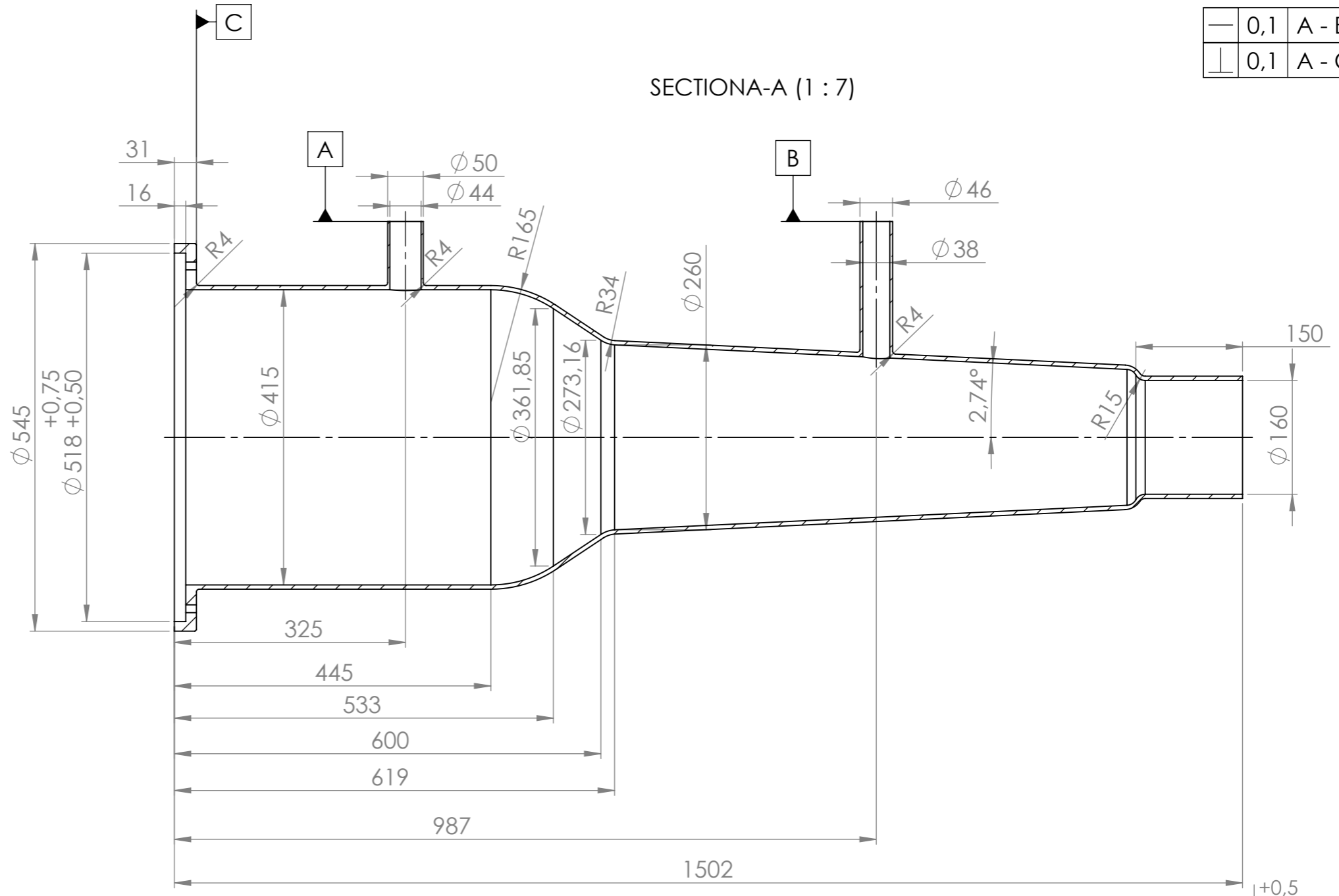
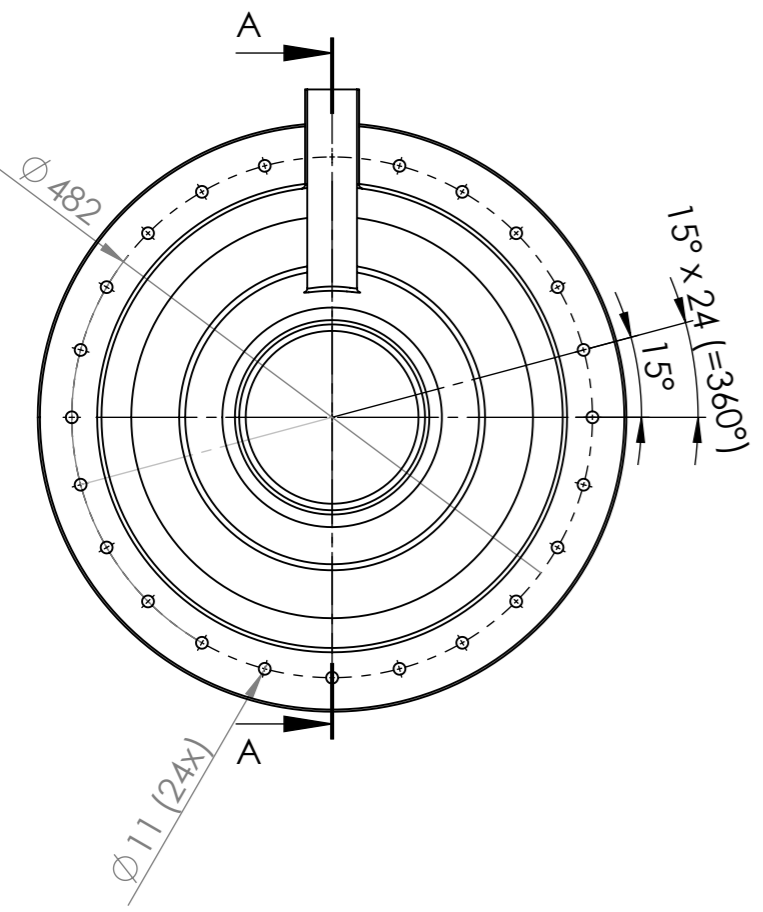



1 2 3 4 5 6 7 8

A B C D E F

—	0,1	A - B
⊥	0,1	A - C

SECTIONA-A (1 : 7)



<b>Protection notice:</b> Any dissemination only with documented confirmation of the originator Refer to protection notice ISO 16016		Surface:	Material: GFK	 <b>Coffin Box 420kV left</b>	
Drawn: Schoenstein Check: Kraus Appr.:	Signature: _____ Date: 2021-04-21	Index: A= diameter; length B= more screw holes C= diameter; length D=	changed from/at: Schoenstein/ 14.09.2021 Schoenstein/ 14.11.2022 Schoenstein/ 18.09.2023		
Weight (kg): 9.70 kg		Tol: DIN ISO 2768-m		Drawing Number: <b>3400103-03</b>	SAP Number: A3
		Scale: 1:7		Sheet 1 of 1	

1 2 3 4