

Unrivalled Efficacy 130 lm/W

- Vertical convection cooling (LED and Heat sink)
- Wired / wireless lighting control
- Individual cooling structure

Application

Factories, Warehouses, Superstores, Sports Arenas, Airports, Gyms



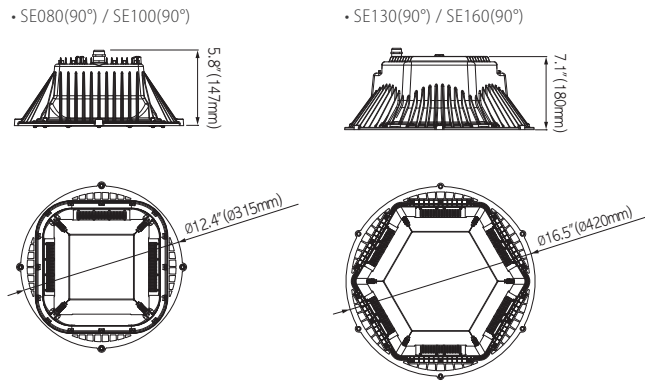
Specifications

* Tolerance : ± 5%

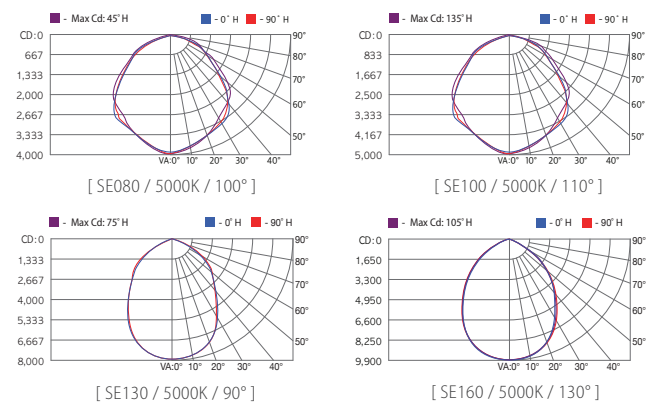
Model	Power	* Luminous Efficacy	* Luminous Flux	Color Temperature	CRI	Weight	Life Time	Input Voltage	Operation Temperature
SE080	80W	125 lm/W	10,000 lm	5000K	80 Ra	4.4 kg / 9.7 lb	50,000hrs	AC100~277V	-30°C~60°C -22°F~140°F
SE100	100W	130 lm/W	13,000 lm	(4000K, 5700K, 6500K available)		6.0 kg / 13.2 lb		AC100~240V	
SE130	130W	130 lm/W	16,900 lm	6500K available)				AC347~480V	
SE160	160W	130 lm/W	20,800 lm						

Body	Cast Aluminum	Mounting Option	Ceiling Bracket (Pipe & Chain)
Cover	Tempered Glass 3.2T (Clear / Frosted)	Light Distribution	SE080: 80° (Symmetric) / 100° (Symmetric) SE100: 80° (Symmetric) / 110° (Symmetric) SE130 / SE160 : 90° (Symmetric) / 130° (Symmetric)
Finish	Powder Coating	Control System	Wireless / Sensor (Daylight) / Wired (1-10V, DALI / Not applicable to VDE) more details of GeSS on p.52

Dimensions



Photometry



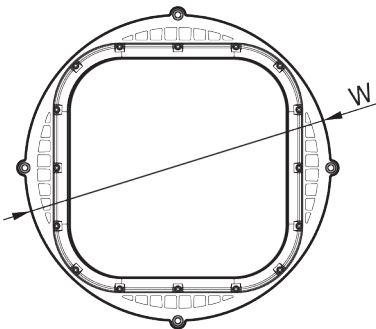
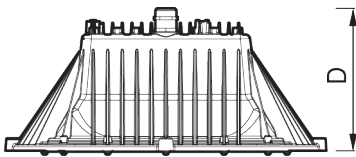


Applications

- Sports Arena
- Warehouse
- Superstore
- Factory

Certification

KC



Description

Unrivaled Efficacy 125 lm/W
Excellent Cooling Structure
Wired / Wireless Lighting Control

Specifications

Model Name	SE070	
Power Consumption	70W	
Light Source	0.2W Mid Power LED Chips	
Correlated Color Temperature	5000K (4000K / 5700K / 6500K available)	
Luminous Flux *	8,750 lm	
Luminous Efficacy *	125 lm/W	
LED Driving Current *	58.3 mA	
Color Rendering Index	80 Ra	
Light Distribution	80°(Symmetric) / 100°(Symmetric)	
LED Chip Manufacturer	SAMSUNG	
Input Voltage	100 ~ 240 Vac	
Input Current	Max 0.8A (@100Vac)	
Power Factor	≥0.9 at Max load	
Frequency	50 / 60 Hz	
Surge Protection	Line-Line 2KV, Line-FG 4KV	
Driver Type	Constant Current (CC)	
Fixture & Driver Manufacturer	KMW INC. / Made in Korea	
Size (D x H)	Ø12.4 x 5.8 (inch)	Ø315 x 147 (mm)
Weight (Driver included)	9.7 lb	4.4 Kg
Material	Body	Cast Aluminum
	Optic	Silver Coating Reflector
	Cover	Tempered Glass 3.2T (Clear / Frosted)
Finish	Powder Coating	
IP Rating	IP65	
Mounting Option	Ceiling Bracket (Chain / Pipe)	
Operating Temperature	-22°F ~ 140°F	-30°C ~ 60°C
Life Time	50,000 Hours (@77°F / 25°C)	
Warranty	5 Years (12 hours usage per day)	
Option	Wireless (ZigBee) / Wired (1-10V) Sensor (Daylight)	

*Tolerance : ± 5%

Photometry

See photometric .ies files for details.

[not yet prepared]

KMW INC.
183-6, Yeongcheon-ro, Hwaseong-si, Gyeonggi-do, South Korea
Tel : +82-31-370-8866 / E-Mail : ledsales@gigateraled.com / Homepage : www.gigateraled.com

Control System (Optional)

ZigBee (Mesh Networking)		Wireless Control
Input Voltage	15 Vdc	
Max. Power Consumption	0.3 W (@15Vdc)	
Standard	2.4 GHz - IEEE 802.15.4 (Compatible)	
Network	Mesh	
RF Tx Power	Max. +8 dBm (Typ. 5 dBm)	
Data Rate	250 kbps	
Security	128 bit AES Encryption Algorithms	
Dimmer	PWM, 0 – 10 Vdc	
Antenna	Omni Type, 2 dBi	
1 – 10V		Wired Control
Factory Installed	The maximum quantity at the time of group control is according to dimmer switch and actuator supply wattage.	
Daylight Sensor		
Operating Voltage Range	5 – 50 Vdc (TYP. 15 Vdc)	
Max. Power Consumption	0.6 W (@15Vdc)	
Detectable Illumination Range	9.2 – 92 fc (Default : 64 fc) / 100 – 1,000 lx (Default : 700 lx)	
LED Light Bi-level Setting	10% (Default)	
Output Signal	PWM	

Ordering Information

Order Code Usage : SE070-A5010CNZW1

	000	-	0	00	00	00	0	00
	Power Consumption		Input Voltage	CCT (K)	Beam Angle	Installation Type	Control System	Fixture Color
SE	070 =70W (*100~240V only) 080 =80W 100 =100W 115 =115W (*100~240V only) 130 =130W 150 =150W (*100~240V only) 160 =160W		A =100~277V B =100~240V C =347~480V	40 =4000K 50 =5000K 57 =5700K 65 =6500K	08 =80° (*070, 080, 100 only) 09 =90° (*115, 130, 150, 160 only) 10 =100° (*070, 080 only) 11 =110° (*100 only) 13 =130° (*115, 130, 150, 160 only)	CN =Chain PE =Pipe	A =Daylight Z =ZigBee T =1-10V N =None	W1 =White

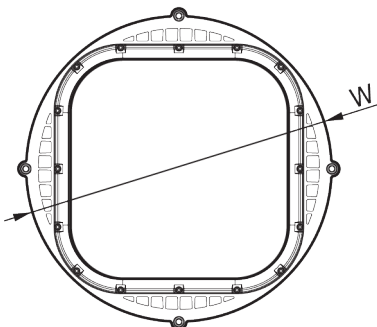
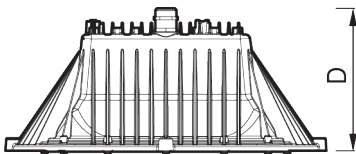


Applications

- Sports Arena
- Warehouse
- Superstore
- Factory

Certification

- CE
- UL
- FCC
- DLC
- PSE
- CCC
- TIS
- KC
- EE



Description

Unrivaled Efficacy 125 lm/W
Excellent Cooling Structure
Wired / Wireless Lighting Control

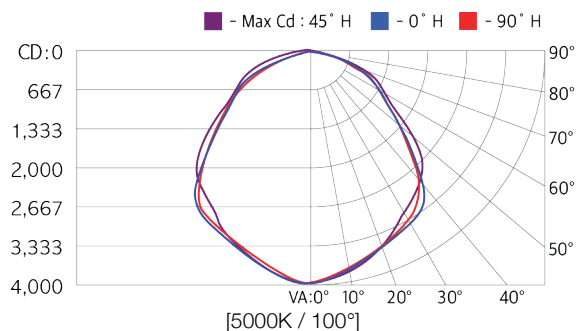
Specifications

Model Name	SE080	
Power Consumption	80W	
Light Source	0.2W Mid Power LED Chips	
Correlated Color Temperature	5000K (4000K / 5700K / 6500K available)	
Luminous Flux *	10,000 lm	
Luminous Efficacy *	125 lm/W	
LED Driving Current *	66.7 mA	
Color Rendering Index	80 Ra	
Light Distribution	80°(Symmetric) / 100°(Symmetric)	
LED Chip Manufacturer	SAMSUNG	
Input Voltage	100 ~ 277 Vac	
Input Current	Max 1.0A (@100Vac)	
Power Factor	≥0.9 at Max load	
Frequency	50 / 60 Hz	
Surge Protection	Line-Line 2KV, Line-FG 4KV	
Driver Type	Constant Current (CC)	
Fixture & Driver Manufacturer	KMW INC. / Made in Korea	
Size (D x H)	Ø12.4 x 5.8 (inch)	Ø315 x 147 (mm)
Weight (Driver included)	9.7 lb	4.4 Kg
Material	Body	Cast Aluminum
	Optic	Silver Coating Reflector
	Cover	Tempered Glass 3.2T (Clear / Frosted)
Finish	Powder Coating	
IP Rating	IP65	
Mounting Option	Ceiling Bracket (Chain / Pipe)	
Operating Temperature	-22°F ~ 140°F	-30°C ~ 60°C
Life Time	50,000 Hours (@77°F / 25°C)	
Warranty	5 Years (12 hours usage per day)	
Option	Control System	
	Wireless (ZigBee) / Wired (1-10V) Sensor (Daylight)	

*Tolerance : ± 5%

Photometry

See photometric .ies files for details.



KMW INC.
183-6, Yeongcheon-ro, Hwaseong-si, Gyeonggi-do, South Korea
Tel : +82-31-370-8866 / E-Mail : ledsales@gigateraled.com / Homepage : www.gigateraled.com

Control System (Optional)

ZigBee		Wireless Control
Input Voltage	15 Vdc	
Max. Power Consumption	0.3 W (@15Vdc)	
Standard	2.4 GHz - IEEE 802.15.4 (Compatible)	
Network	Mesh	
RF Tx Power	Max. +8 dBm (Typ. 5 dBm)	
Data Rate	250 kbps	
Security	128 bit AES Encryption Algorithms	
Dimmer	PWM, 0 – 10 Vdc	
Antenna	Omni Type, 2 dBi	
1 – 10V		Wired Control
Factory Installed	The maximum quantity at the time of group control is according to dimmer switch and actuator supply wattage.	
Daylight Sensor		
Operating Voltage Range	5 – 50 Vdc (TYP. 15 Vdc)	
Max. Power Consumption	0.6 W (@15Vdc)	
Detectable Illumination Range	9.2 – 92 fc (Default : 64 fc) / 100 – 1,000 lx (Default : 700 lx)	
LED Light Bi-level Setting	10% (Default)	
Output Signal	PWM	

Ordering Information

Order Code Usage : SE080-A5010CNZW1

	OOO	-	O	OO	OO	OO	O	OO
	Power Consumption		Input Voltage	CCT (K)	Beam Angle	Installation Type	Control System	Fixture Color
SE	070 =70W (*100~240V only) 080 =80W 100 =100W 115 =115W (*100~240V only) 130 =130W 150 =150W (*100~240V only) 160 =160W		A =100~277V B =100~240V C =347~480V	40 =4000K 50 =5000K 57 =5700K 65 =6500K	08 =80° (*070, 080, 100 only) 09 =90° (*115, 130, 150, 160 only) 10 =100° (*070, 080 only) 11 =110° (*100 only) 13 =130° (*115, 130, 150, 160 only)	CN =Chain PE =Pipe	A =Daylight Z =ZigBee T =1-10V N =None	W1 =White

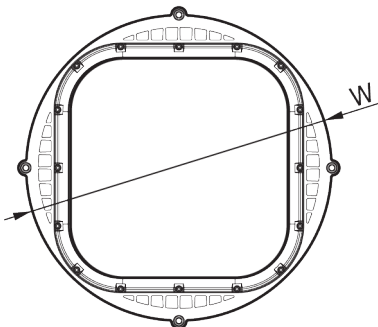
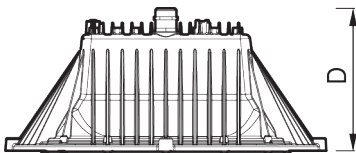


Applications

Sports Arena
Warehouse
Superstore
Factory

Certification

CE
UL
FCC
DLC
PSE
CCC
TIS
KC
EE



Description

Unrivaled Efficacy 130 lm/W
Excellent Cooling Structure
Wired / Wireless Lighting Control

Specifications

Model Name	SE100	
Power Consumption	100W	
Light Source	0.2W Mid Power LED Chips	
Correlated Color Temperature	5000K (4000K / 5700K / 6500K available)	
Luminous Flux *	13,000 lm	
Luminous Efficacy *	130 lm/W	
LED Driving Current *	71.4 mA	
Color Rendering Index	80 Ra	
Light Distribution	80°(Symmetric) / 110°(Symmetric)	
LED Chip Manufacturer	SAMSUNG	
Input Voltage	100 ~ 277 Vac	347 ~ 480 Vac
Input Current	Max 1.25A (@100Vac)	Max 0.4A (@347Vac)
Power Factor	≥0.9 at Max load	
Frequency	50 / 60 Hz	
Surge Protection	Line-Line 2KV, Line-FG 4KV	
Driver Type	Constant Current (CC)	
Fixture & Driver Manufacturer	KMW INC. / Made in Korea	
Size (D x H)	Ø12.4 x 5.8 (inch)	Ø315 x 147 (mm)
Weight (Driver included)	9.7 lb	4.4 Kg
Material	Body	Cast Aluminum
	Optic	Silver Coating Reflector
	Cover	Tempered Glass 3.2T (Clear)
Finish	Powder Coating	
IP Rating	IP65	
Mounting Option	Ceiling Bracket (Chain / Pipe)	
Operating Temperature	-22°F ~ 140°F	-30°C ~ 60°C
Life Time	50,000 Hours (@77°F / 25°C)	
Warranty	5 Years (12 hours usage per day)	

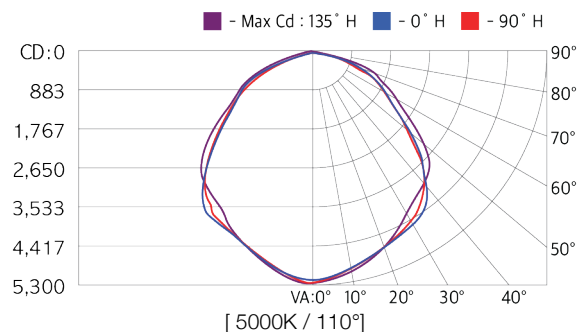
Option

Control System	Wireless (ZigBee) / Wired (1-10V) Sensor (Daylight)
-----------------------	--

*Tolerance : ± 5%

Photometry

See photometric .ies files for details.



Control System (Optional)

ZigBee		Wireless Control
Input Voltage	15 Vdc	
Max. Power Consumption	0.3 W (@15Vdc)	
Standard	2.4 GHz - IEEE 802.15.4 (Compatible)	
Network	Mesh	
RF Tx Power	Max. +8 dBm (Typ. 5 dBm)	
Data Rate	250 kbps	
Security	128 bit AES Encryption Algorithms	
Dimmer	PWM, 0 – 10 Vdc	
Antenna	Omni Type, 2 dBi	
1 – 10V		Wired Control
Factory Installed	The maximum quantity at the time of group control is according to dimmer switch and actuator supply wattage.	
Daylight Sensor		
Operating Voltage Range	5 – 50 Vdc (TYP. 15 Vdc)	
Max. Power Consumption	0.6 W (@15Vdc)	
Detectable Illumination Range	9.2 – 92 fc (Default : 64 fc) / 100 – 1,000 lx (Default : 700 lx)	
LED Light Bi-level Setting	10% (Default)	
Output Signal	PWM	

Ordering Information

Order Code Usage : SE100-A5011CNZW1

	000	-	O	OO	OO	OO	O	OO
	Power Consumption		Input Voltage	CCT (K)	Beam Angle	Installation Type	Control System	Fixture Color
SE	070 =70W (*100~240V only) 080 =80W 100 =100W 115 =115W (*100~240V only) 130 =130W 150 =150W (*100~240V only) 160 =160W		A =100~277V B =100~240V C =347~480V	40 =4000K 50 =5000K 57 =5700K 65 =6500K	08 =80° (*070, 080, 100 only) 09 =90° (*115, 130, 150, 160 only) 10 =100° (*070, 080 only) 11 =110° (*100 only) 13 =130° (*115, 130, 150, 160 only)	CN =Chain PE =Pipe	A =Daylight Z =ZigBee T =1-10V N =None	W1 =White

Control System (Optional)

ZigBee		Wireless Control
Input Voltage	15 Vdc	
Max. Power Consumption	0.3 W (@15Vdc)	
Standard	2.4 GHz - IEEE 802.15.4 (Compatible)	
Network	Mesh	
RF Tx Power	Max. +8 dBm (Typ. 5 dBm)	
Data Rate	250 kbps	
Security	128 bit AES Encryption Algorithms	
Dimmer	PWM, 0 – 10 Vdc	
Antenna	Omni Type, 2 dBi	
1 – 10V		Wired Control
Factory Installed	The maximum quantity at the time of group control is according to dimmer switch and actuator supply wattage.	
Daylight Sensor		
Operating Voltage Range	5 – 50 Vdc (TYP. 15 Vdc)	
Max. Power Consumption	0.6 W (@15Vdc)	
Detectable Illumination Range	9.2 – 92 fc (Default : 64 fc) / 100 – 1,000 lx (Default : 700 lx)	
LED Light Bi-level Setting	10% (Default)	
Output Signal	PWM	

Ordering Information

Order Code Usage : SE115-A5009CNZW1

	000	-	O	OO	OO	OO	O	OO
	Power Consumption		Input Voltage	CCT (K)	Beam Angle	Installation Type	Control System	Fixture Color
SE	070 =70W (*100~240V only) 080 =80W 100 =100W 115 =115W (*100~240V only) 130 =130W 150 =150W (*100~240V only) 160 =160W		A =100~277V B =100~240V C =347~480V	40 =4000K 50 =5000K 57 =5700K 65 =6500K	08 =80° (*070, 080, 100 only) 09 =90° (*115, 130, 150, 160 only) 10 =100° (*070, 080 only) 11 =110° (*100 only) 13 =130° (*115, 130, 150, 160 only)	CN =Chain PE =Pipe	A =Daylight Z =ZigBee T =1-10V N =None	W1 =White



Applications

- Sports Arena
- Warehouse
- Superstore
- Factory

Certification

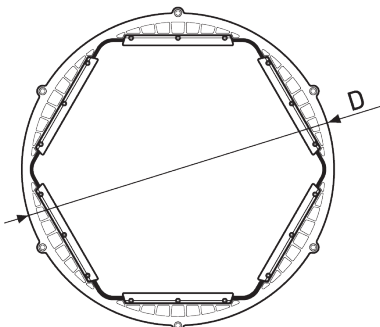
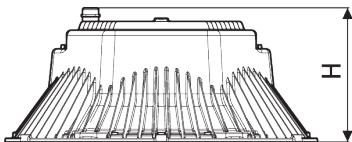
- CE
- UL
- FCC
- DLC
- PSE
- CCC
- TIS
- KC
- EE

Description

Unrivaled Efficacy 130 lm/W
Excellent Cooling Structure
Wired / Wireless Lighting Control

Specifications

Model Name	SE130	
Power Consumption	130W	
Light Source	0.2W Mid Power LED Chips	
Correlated Color Temperature	5000K (4000K / 5700K / 6500K available)	
Luminous Flux *	16,900 lm	
Luminous Efficacy *	130 lm/W	
LED Driving Current *	72.2 mA	
Color Rendering Index	80 Ra	
Light Distribution	90°(Symmetric) / 130°(Symmetric)	
LED Chip Manufacturer	SAMSUNG	
Input Voltage	100 ~ 277 Vac	347 ~ 480 Vac
Input Current	Max 1.6A (@100Vac)	Max 0.5A (@347Vac)
Power Factor	≥0.9 at Max load	
Frequency	50 / 60 Hz	
Surge Protection	Line-Line 2KV, Line-FG 4KV	
Driver Type	Constant Current (CC)	
Fixture & Driver Manufacturer	KMW INC. / Made in Korea	
Size (D x H)	Ø16.5 x 7.1 (inch)	Ø420 x 180 (mm)
Weight (Driver included)	13.2 lb	6.0 Kg
Material	Body	Cast Aluminum
	Optic	Silver Coating Reflector
	Cover	Tempered Glass 3.2T (Clear / Frosted)
Finish	Powder Coating	
IP Rating	IP65	
Mounting Option	Ceiling Bracket (Chain / Pipe)	
Operating Temperature	-22°F ~ 140°F	-30°C ~ 60°C
Life Time	50,000 Hours (@77°F / 25°C)	
Warranty	5 Years (12 hours usage per day)	



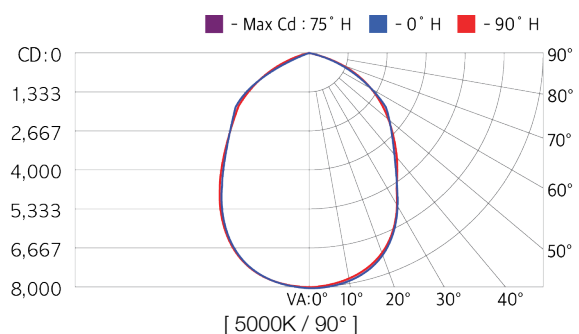
Option

Control System	Wireless (ZigBee) / Wired (1-10V) Sensor (Daylight)
-----------------------	--

*Tolerance : ± 5%

Photometry

See photometric .ies files for details.



Control System (Optional)

ZigBee	Wireless Control
Input Voltage	15 Vdc
Max. Power Consumption	0.3 W (@15Vdc)
Standard	2.4 GHz - IEEE 802.15.4 (Compatible)
Network	Mesh
RF Tx Power	Max. +8 dBm (Typ. 5 dBm)
Data Rate	250 kbps
Security	128 bit AES Encryption Algorithms
Dimmer	PWM, 0 - 10 Vdc
Antenna	Omni Type, 2 dBi
1 - 10V	Wired Control
Factory Installed	The maximum quantity at the time of group control is according to dimmer switch and actuator supply wattage.
Daylight Sensor	
Operating Voltage Range	5 - 50 Vdc (TYP. 15 Vdc)
Max. Power Consumption	0.6 W (@15Vdc)
Detectable Illumination Range	9.2 - 92 fc (Default : 64 fc) / 100 - 1,000 lx (Default : 700 lx)
LED Light Bi-level Setting	10% (Default)
Output Signal	PWM

Ordering Information

Order Code Usage : SE130-A5009CNZW1

	000	-	O	OO	OO	OO	O	OO
	Power Consumption		Input Voltage	CCT (K)	Beam Angle	Installation Type	Control System	Fixture Color
SE	070 =70W (*100~240V only) 080 =80W 100 =100W 115 =115W (*100~240V only) 130 =130W 150 =150W (*100~240V only) 160 =160W		A =100~277V B =100~240V C =347~480V	40 =4000K 50 =5000K 57 =5700K 65 =6500K	08 =80° (*070, 080, 100 only) 09 =90° (*115, 130, 150, 160 only) 10 =100° (*070, 080 only) 11 =110° (*100 only) 13 =130° (*115, 130, 150, 160 only)	CN =Chain PE =Pipe	A =Daylight Z =ZigBee T =1-10V N =None	W1 =White

KMW INC.

183-6, Yeongcheon-ro, Hwaseong-si, Gyeonggi-do, South Korea
Tel : +82-31-370-8866 / E-Mail : ledsales@gigateraled.com / Homepage : www.gigateraled.com



Applications

- Sports Arena
- Warehouse
- Superstore
- Factory

Certification

KC

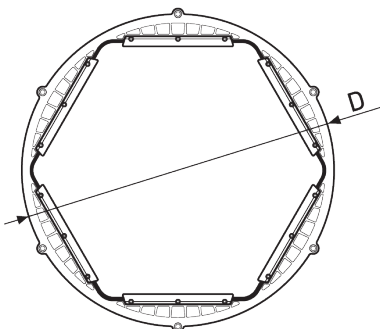
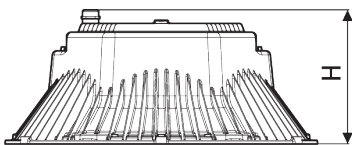
Description

Unrivaled Efficacy 130 lm/W
Excellent Cooling Structure
Wired / Wireless Lighting Control

Specifications

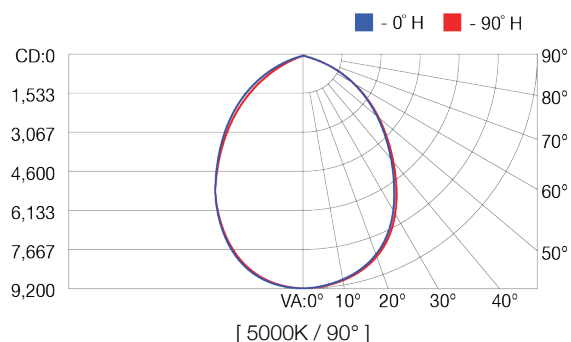
Model Name	SE150	
Power Consumption	150W	
Light Source	0.2W Mid Power LED Chips	
Correlated Color Temperature	5000K (4000K / 5700K / 6500K available)	
Luminous Flux *	19,500 lm	
Luminous Efficacy *	130 lm/W	
LED Driving Current *	71.4 mA	
Color Rendering Index	80 Ra	
Light Distribution	90°(Symmetric) / 130°(Symmetric)	
LED Chip Manufacturer	SAMSUNG	
Input Voltage	100 ~ 240 Vac	
Input Current	Max 1.9A (@100Vac)	
Power Factor	≥0.9 at Max load	
Frequency	50 / 60 Hz	
Surge Protection	Line-Line 2KV, Line-FG 4KV	
Driver Type	Constant Current (CC)	
Fixture & Driver Manufacturer	KMW INC. / Made in Korea	
Size (D x H)	Ø16.5 x 7.1 (inch)	Ø420 x 180 (mm)
Weight (Driver included)	13.2 lb	6.0 Kg
Material	Body	Cast Aluminum
	Optic	Silver Coating Reflector
	Cover	Tempered Glass 3.2T (Clear / Frosted)
Finish	Powder Coating	
IP Rating	IP65	
Mounting Option	Ceiling Bracket (Chain / Pipe)	
Operating Temperature	-22°F ~ 140°F	-30°C ~ 60°C
Life Time	50,000 Hours (@77°F / 25°C)	
Warranty	5 Years (12 hours usage per day)	
Option	Wireless (ZigBee) / Wired (1-10V) Sensor (Daylight)	

*Tolerance : ± 5%



Photometry

See photometric .ies files for details.



Control System (Optional)

ZigBee		Wireless Control
Input Voltage	15 Vdc	
Max. Power Consumption	0.3 W (@15Vdc)	
Standard	2.4 GHz - IEEE 802.15.4 (Compatible)	
Network	Mesh	
RF Tx Power	Max. +8 dBm (Typ. 5 dBm)	
Data Rate	250 kbps	
Security	128 bit AES Encryption Algorithms	
Dimmer	PWM, 0 – 10 Vdc	
Antenna	Omni Type, 2 dBi	
1 – 10V		Wired Control
Factory Installed	The maximum quantity at the time of group control is according to dimmer switch and actuator supply wattage.	
Daylight Sensor		
Operating Voltage Range	5 – 50 Vdc (TYP. 15 Vdc)	
Max. Power Consumption	0.6 W (@15Vdc)	
Detectable Illumination Range	9.2 – 92 fc (Default : 64 fc) / 100 – 1,000 lx (Default : 700 lx)	
LED Light Bi-level Setting	10% (Default)	
Output Signal	PWM	

Ordering Information

Order Code Usage : SE150-A5009CNZW1

	OOO	-	O	OO	OO	OO	O	OO
	Power Consumption		Input Voltage	CCT (K)	Beam Angle	Installation Type	Control System	Fixture Color
SE	070 =70W (*100~240V only) 080 =80W 100 =100W 115 =115W (*100~240V only) 130 =130W 150 =150W (*100~240V only) 160 =160W		A =100~277V B =100~240V C =347~480V	40 =4000K 50 =5000K 57 =5700K 65 =6500K	08 =80° (*070, 080, 100 only) 09 =90° (*115, 130, 150, 160 only) 10 =100° (*070, 080 only) 11 =110° (*100 only) 13 =130° (*115, 130, 150, 160 only)	CN =Chain PE =Pipe	A =Daylight Z =ZigBee T =1-10V N =None	W1 =White

KMW INC.
183-6, Yeongcheon-ro, Hwaseong-si, Gyeonggi-do, South Korea
Tel : +82-31-370-8866 / E-Mail : ledsales@gigateraled.com / Homepage : www.gigateraled.com



Applications

- Sports Arena
- Warehouse
- Superstore
- Factory

Certification

- CE
- UL
- FCC
- DLC
- PSE
- CCC
- TIS
- KC
- EE

Description

Unrivaled Efficacy 130 lm/W
Excellent Cooling Structure
Wired / Wireless Lighting Control

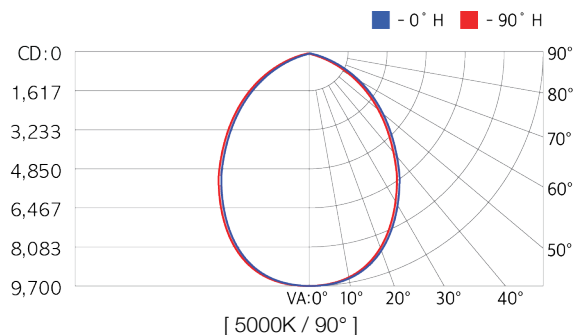
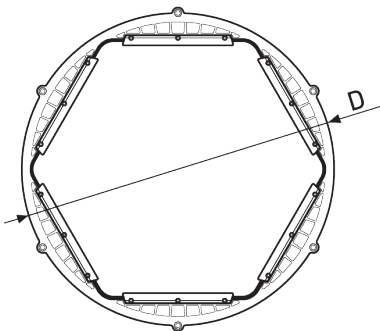
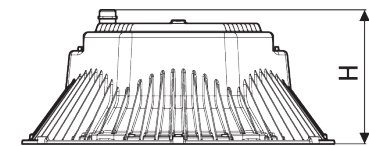
Specifications

Model Name	SE160	
Power Consumption	160W	
Light Source	0.2W Mid Power LED Chips	
Correlated Color Temperature	5000K (4000K / 5700K / 6500K available)	
Luminous Flux *	20,800 lm	
Luminous Efficacy *	130 lm/W	
LED Driving Current *	76.2 mA	
Color Rendering Index	80 Ra	
Light Distribution	90°(Symmetric) / 130°(Symmetric)	
LED Chip Manufacturer	SAMSUNG	
Input Voltage	100 ~ 277 Vac	347 ~ 480 Vac
Input Current	Max 2.0A (@100Vac)	Max 0.65A (@347Vac)
Power Factor	≥0.9 at Max load	
Frequency	50 / 60 Hz	
Surge Protection	Line-Line 2KV, Line-FG 4KV	
Driver Type	Constant Current (CC)	
Fixture & Driver Manufacturer	KMW INC. / Made in Korea	
Size (D x H)	Ø16.5 x 7.1 (inch)	Ø420 x 180 (mm)
Weight (Driver included)	13.2 lb	6.0 Kg
Material	Body	Cast Aluminum
	Optic	Silver Coating Reflector
	Cover	Tempered Glass 3.2T (Clear / Frosted)
Finish	Powder Coating	
IP Rating	IP65	
Mounting Option	Ceiling Bracket (Chain / Pipe)	
Operating Temperature	-22°F ~ 140°F	-30°C ~ 60°C
Life Time	50,000 Hours (@77°F / 25°C)	
Warranty	5 Years (12 hours usage per day)	
Option	Wireless (ZigBee) / Wired (1-10V) Sensor (Daylight)	

*Tolerance : ± 5%

Photometry

See photometric .ies files for details.



Control System (Optional)

ZigBee		Wireless Control
Input Voltage	15 Vdc	
Max. Power Consumption	0.3 W (@15Vdc)	
Standard	2.4 GHz - IEEE 802.15.4 (Compatible)	
Network	Mesh	
RF Tx Power	Max. +8 dBm (Typ. 5 dBm)	
Data Rate	250 kbps	
Security	128 bit AES Encryption Algorithms	
Dimmer	PWM, 0 – 10 Vdc	
Antenna	Omni Type, 2 dBi	
1 – 10V		Wired Control
Factory Installed	The maximum quantity at the time of group control is according to dimmer switch and actuator supply wattage.	
Daylight Sensor		
Operating Voltage Range	5 – 50 Vdc (TYP. 15 Vdc)	
Max. Power Consumption	0.6 W (@15Vdc)	
Detectable Illumination Range	9.2 – 92 fc (Default : 64 fc) / 100 – 1,000 lx (Default : 700 lx)	
LED Light Bi-level Setting	10% (Default)	
Output Signal	PWM	

Ordering Information

Order Code Usage : SE160-A5009CNZW1

SE	OOO	-	O	OO	OO	OO	O	OO
	Power Consumption		Input Voltage	CCT (K)	Beam Angle	Installation Type	Control System	Fixture Color
	070 =70W (*100~240V only) 080 =80W 100 =100W 115 =115W (*100~240V only) 130 =130W 150 =150W (*100~240V only) 160 =160W			A =100~277V B =100~240V C =347~480V	40 =4000K 50 =5000K 57 =5700K 65 =6500K	08 =80° (*070, 080, 100 only) 09 =90° (*115, 130, 150, 160 only) 10 =100° (*070, 080 only) 11 =110° (*100 only) 13 =130° (*115, 130, 150, 160 only)	CN =Chain PE =Pipe	A =Daylight Z =ZigBee T =1-10V N =None