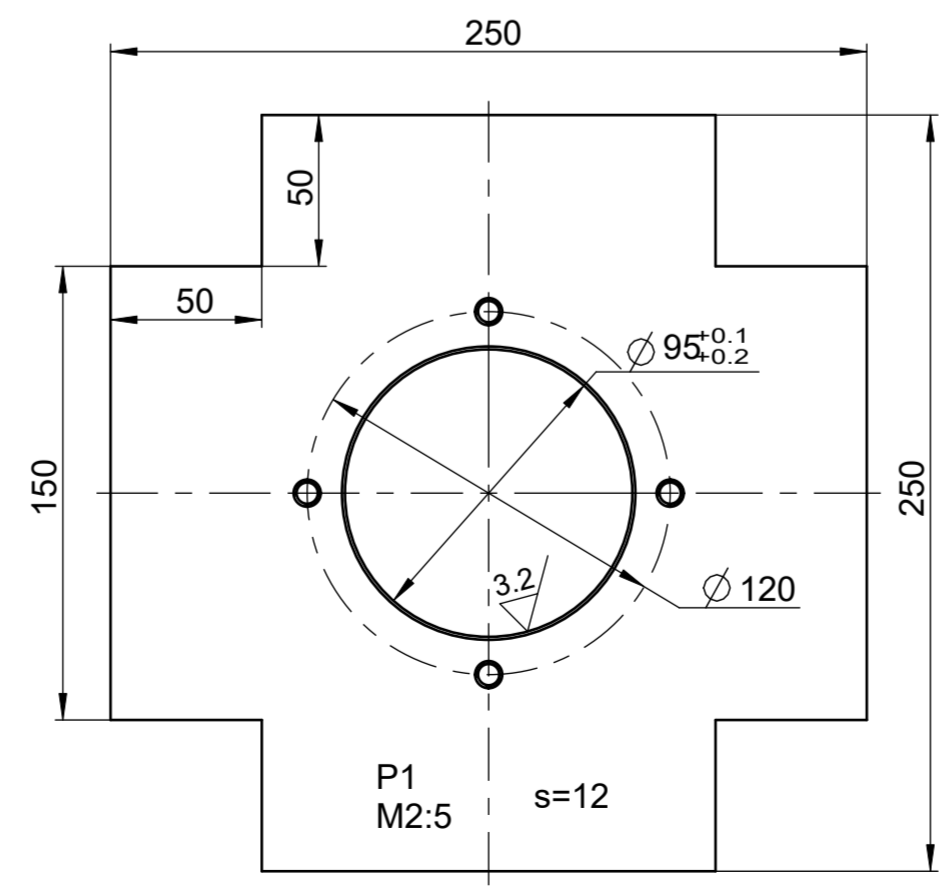
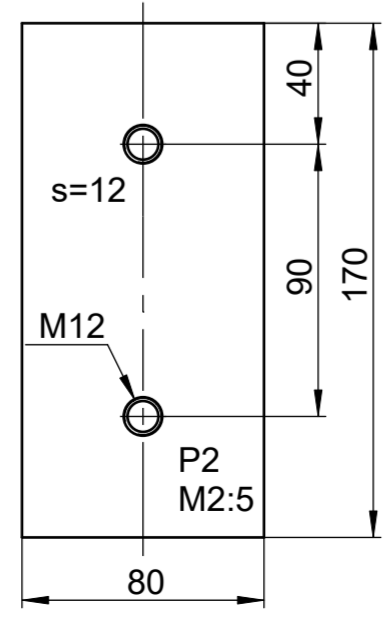
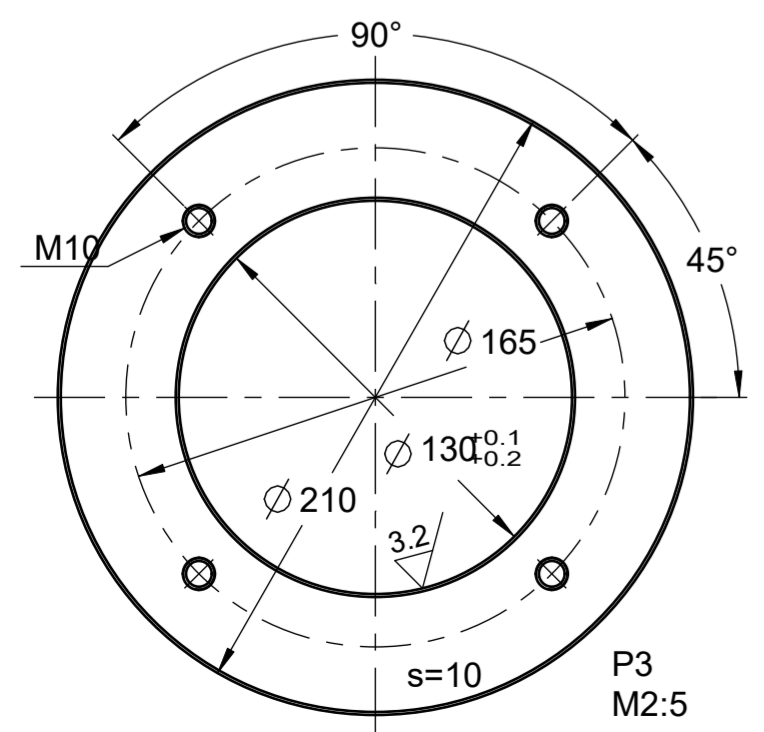
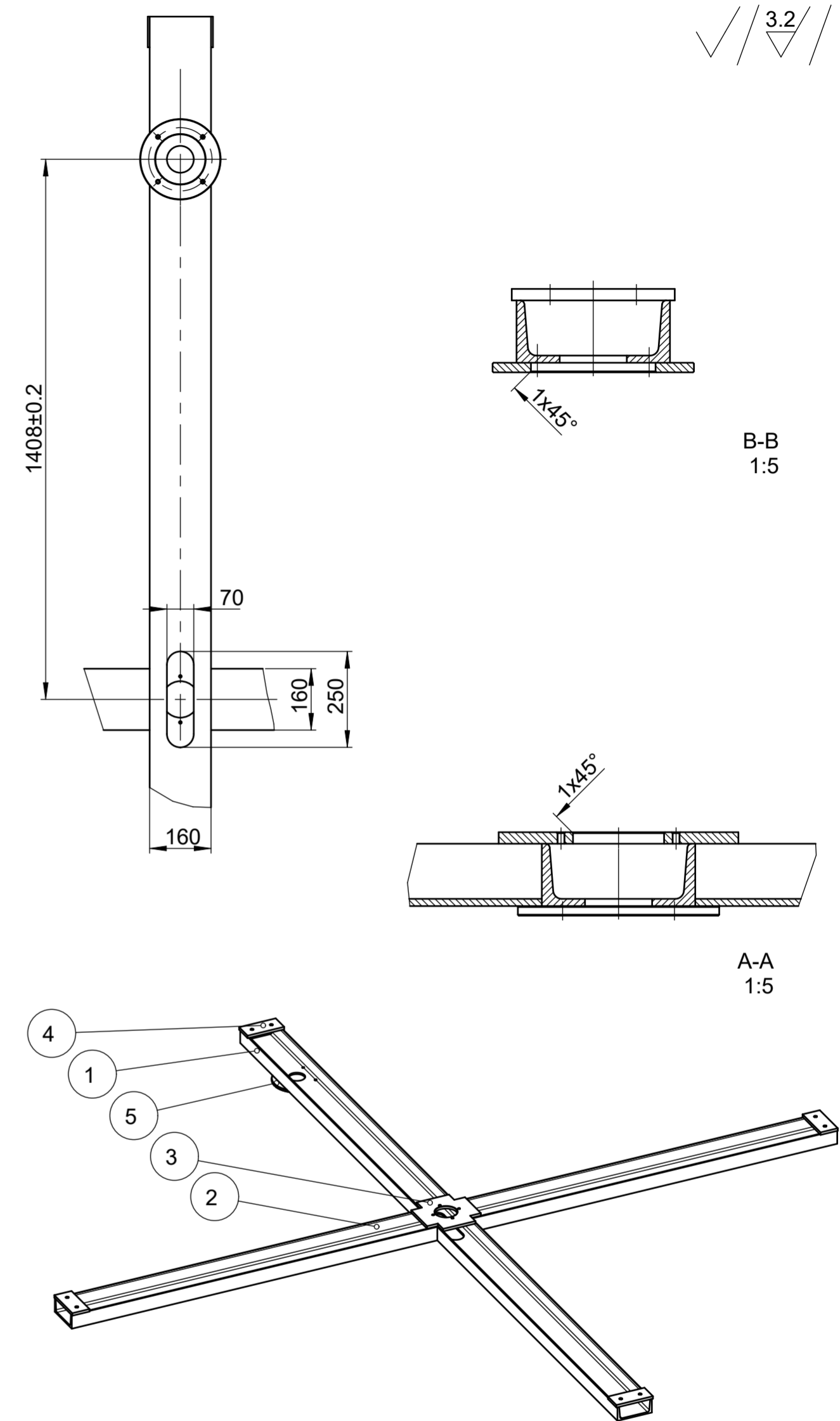
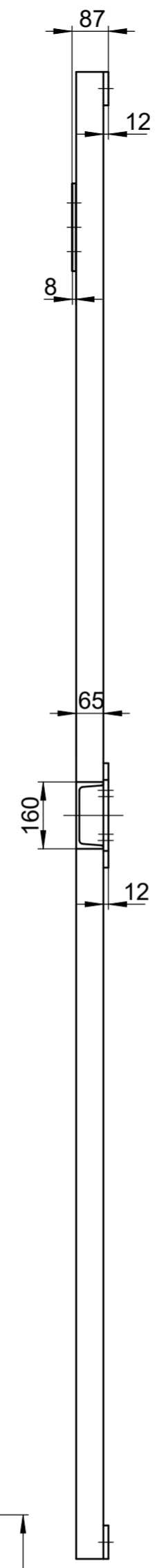
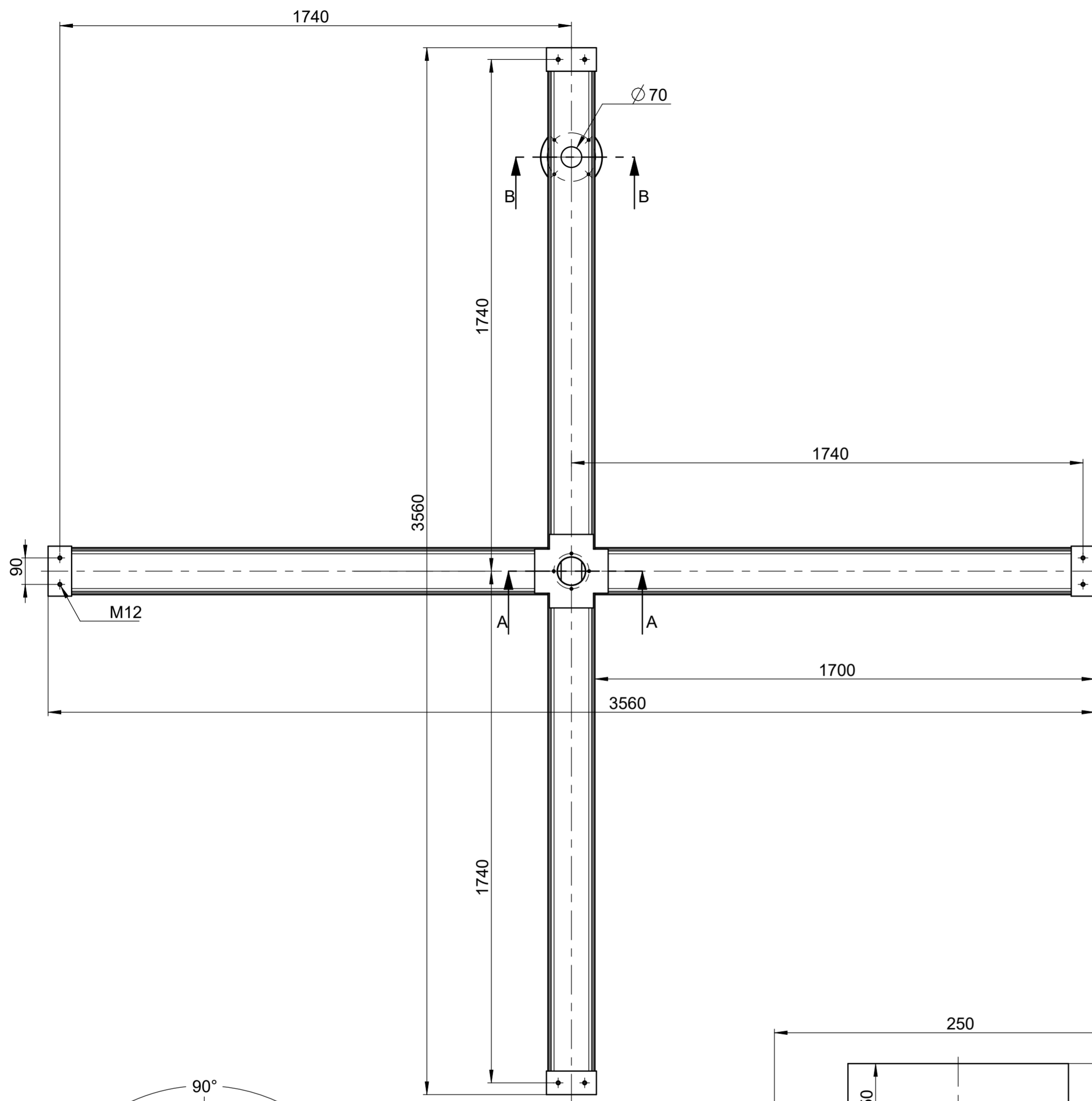


✓/3.2/



Vsi zvari so a= 6mm.

poz.	z id	naziv in mere	kos	{Lrisbe	material	masa (kg)	opomba
5	P3	Pl.10xØ 210	1		St 37-3	1.7	
4	P2	Pl.12x80x170	4		St 37-3	1.3	
3	P1	Pl.12x250x250	1		St 37-3	4.3	
2		U 160 L=1700mm	2	DIN 1026	St 37-2	32.0	
1		U 160 L=3560mm	1	DIN 1026	St 37-2	65.7	

Designed by	Date	Name	Signature	Mass (kg)
Checked by	28-Mar-20	J. Košir		140.6
Scale	Title			Sheet/Sheets: 1/1
2:25	CROSS			

Projekiranje in proizvodnja d.o.o. Škofja Loka	
Drawing number P-19558	Edition

The information on this sheet may be used only for the purpose for which it is supplied by BKL d.o.o. and must not be shown to third parties. This sheet and all copies must be returned immediately on demand.