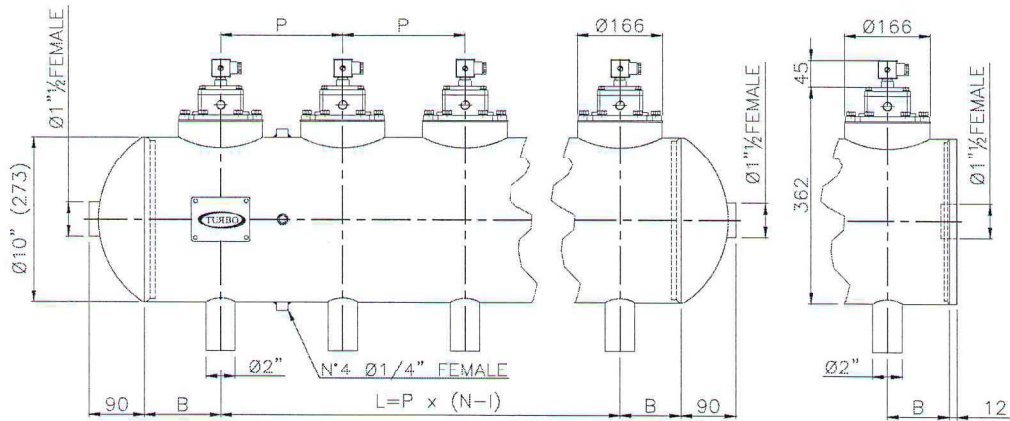


A1 GLOBAL IMMERSION HEADER TANK

According to 2009/105/EC and PED 97/23/EC

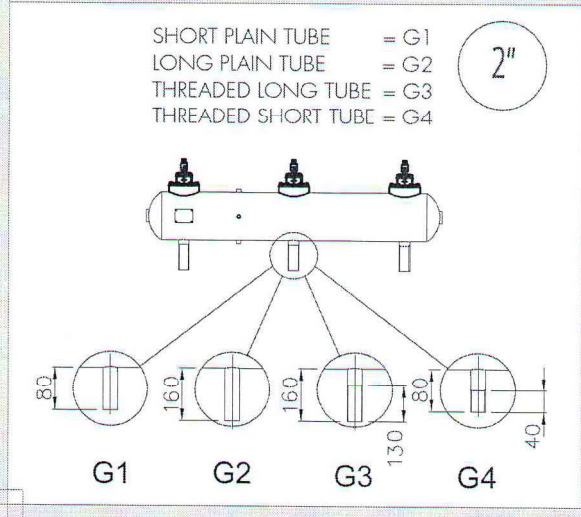
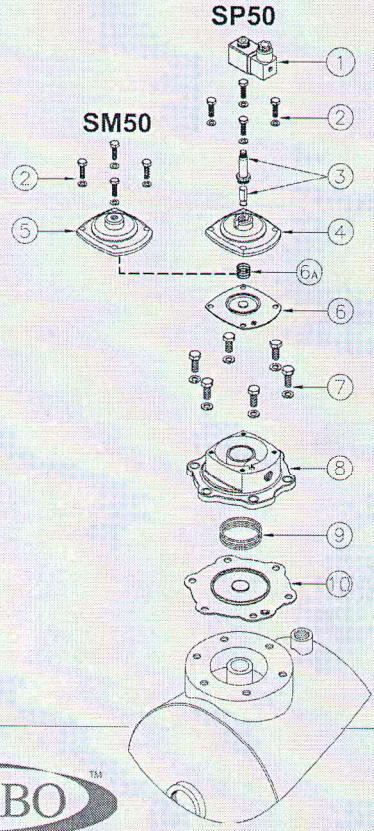
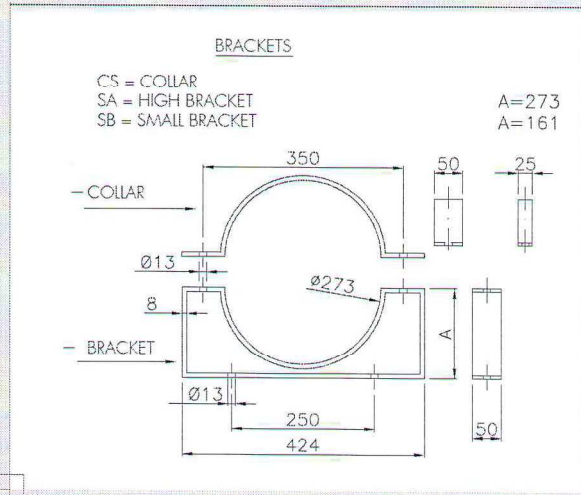
10" INTEGRAL Series dn 10" with 2" valves



P Min. = 185 / B Min. = 115

For special implementations of P min and B min, please contact our technical department

DESCRIPTION	VALVE SM50/SP50
1 Coil + Din connector	BH10...V/50-60Hz
2 Screws + Washers	VTE6x20+TROND6GROWER
3 Pole assembly	GPC10
4 Cover direct drive	TCOP25
5 Remote operated cover	TCOP25FM
6 Diaphragm	M25
6a Spring	TMOL10G
7 Screws + Washers	VTE10x25+TROND10GROWER
8 Cover	TCOP50G
9 Spring	TMOL40
10 Diaphragm	M50



20

