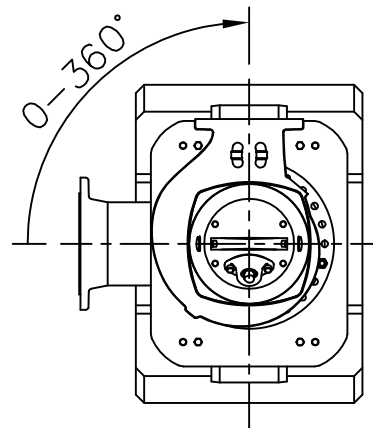
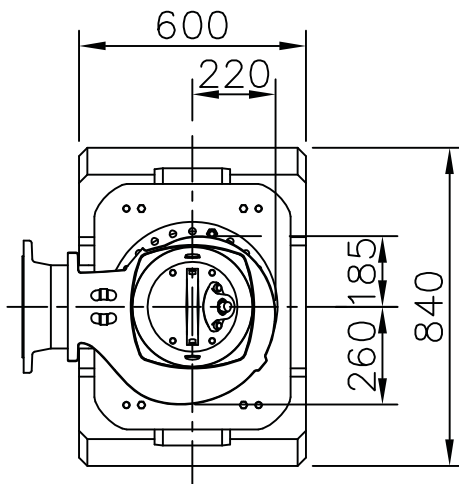
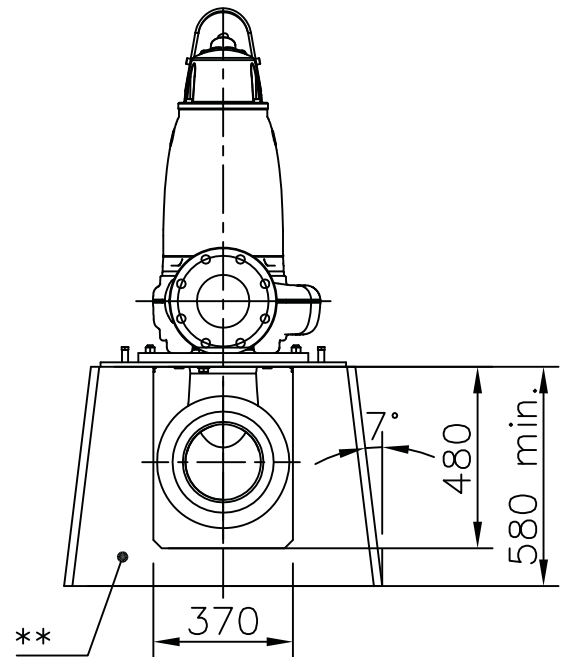
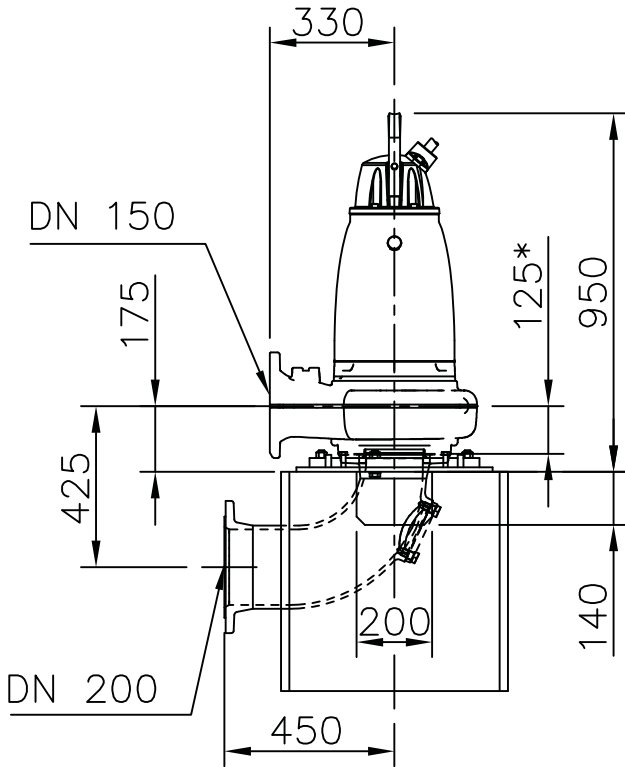


Ø240xM16 (4x)
Ø330xM16 (4x)



* Dimension to inlet elbow flange.
** Concrete plinth not supplied by Xylem.

Weight (kg)		
Pump	Stand unit	Inlet elbow
207	36	55

	NT,FT	3153	MT	Discharge outlet	Scale	Date
				Pump outlet DN 150	1:20	191209
		Pump inlet DN 150	Drawing number	Revision		
		Suction inlet DN 200	7787300	7		