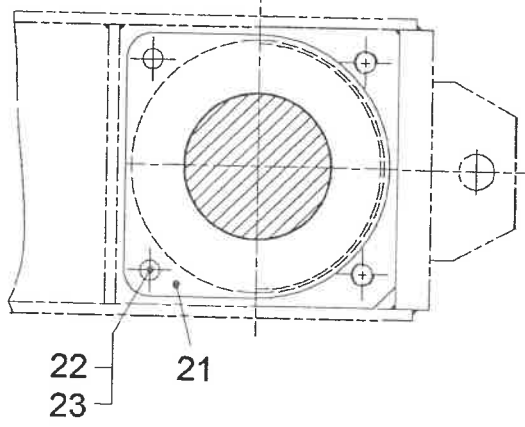


Schnitt / section /
coupe / sección A - B



НАПИНАЖА

quantity of order

item	article	quantity	denomination	characteristics/dimensions	material	norm	weight
1	30008124	1	flange bearing, com	115x115			39,292
2	21708151	1	speed indicator	100/20			12,796
3	22517251	1	tail axle, componen	1400/3/600/100	10503		180,400
4	30017536	1	guide sprocket	368x152/26x92	10503		58,500
5	30017538	1	guide sprocket	368x161/26x92	10503		40,800
6	21666051	1	guide sprocket	Ø368x120	10503		57,000
10	22519651	2	bush	294/265/520	10570		53,500
11	21523751	2	tension unit	3015/130/180			6,300
12	30017539	1	bush	230/180/101	10503		12,700
13	15117390	2	bush	155x140x30	20380		0,850
14	21146051	1	bush	145x130x30	20380		0,820
15	15117690	1	bush	245x230x30	20380		1,350
17	21666551	1	bush	225/130/5	20380		1,200
21	21141851	2	labyrinth seal	100	10503		7,500
22	00139770	4	hexagonal screw	M16x20	8.8	933	0,064
23	00017070	4	washer	B17	10038	125	0,011