

### OPTIONS

- Special customised executions
- Pilot boxes containing 2 to 12 pilot valves
- Separate pilot valves can be equipped with explosionproof solenoids for hazardous locations according to "ATEX" (CENELEC) and national standards
- Separate Quick Mount clamps for outlet connection; kit number: **C132-679**

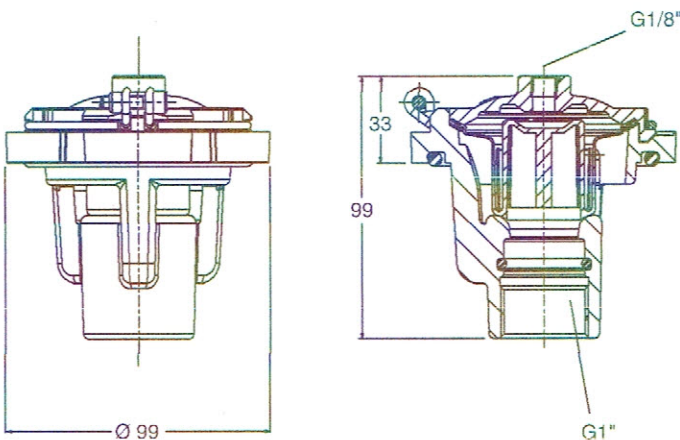
### INSTALLATION

- The tank system can be mounted in any position without affecting operation using the brackets
- Pipe connection identifier is: G = according to ISO 228/1 or Ø for other outlet connections
- For Quick Mount types tightness is achieved by the O-ring sealing on the pipe (1" = Ø33,2 to 34,2) according to ISO 4200
- When connecting piping or tubing to the G1/8 connection in the valve bonnet, the remote ASCO pilot valve should be mounted as close as possible to the main pulse valve. Connection tubing lengths of 3 meter or less have little effect on the pulse response. Installations with over 3 meter of tubing must be tested under actual operating conditions. Tubing with Ø 6 mm is recommended for all installations
- Installation/maintenance instructions are included with each tank system
- Spare valves and spare parts kits are available

### SEPARATE / SPARE POWER PULSE VALVES

**FEATURES** - (same as for the tank system)

**DIMENSIONS** (mm), **WEIGHT** (kg)



### SPECIFICATIONS

pipe size	catalogue number	weight
(G) Female threaded connection (ISO 228/1)		
1"	E353A231	0,428

### SPARE PARTS KITS

designation	spare parts kit no.
Remote operated valve	C139420