

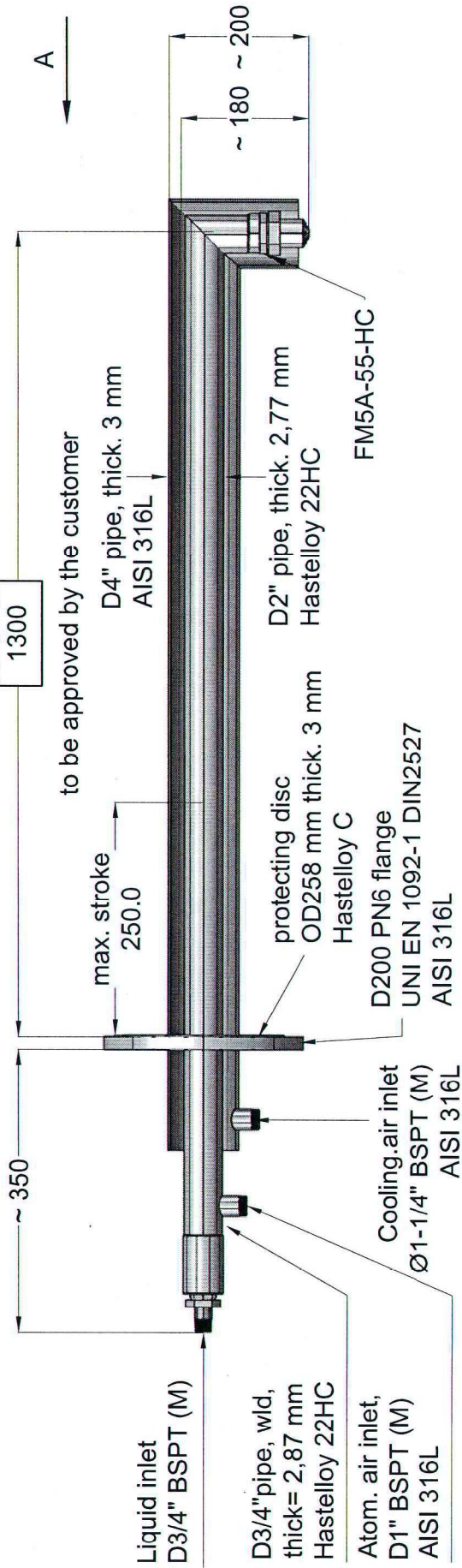
APPROVED FOR MANUFACTURING

Customer:.....

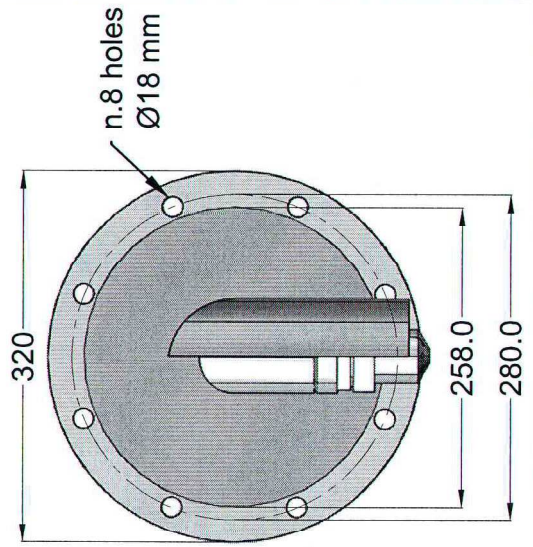
Date:.....

Name:.....

Company:.....



View from A



NOTES

1. The nozzle, the nozzle housing, the OD2" pipe, the OD3/4" pipe and the protecting disk are in Hastelloy C; all the other parts of the lance are in AISI 316L.
2. Dimenisons are in millimeters unless otherwise specified.
3. The flange type can be modified according to customer request.
4. Keep always atomizing air open to minimize thermal wear of th nozzle and keep it cleaner.
5. The nozzle can move 250 mm towards the flange from the position above indicated.

Date: 19/02/2015

Pag.1/1

Description: lance for FM5A-55-HC

Scale



Drawing n.: 442596

Rev. n.2



SPRAYING SYSTEMS COMTOSI

1111-0