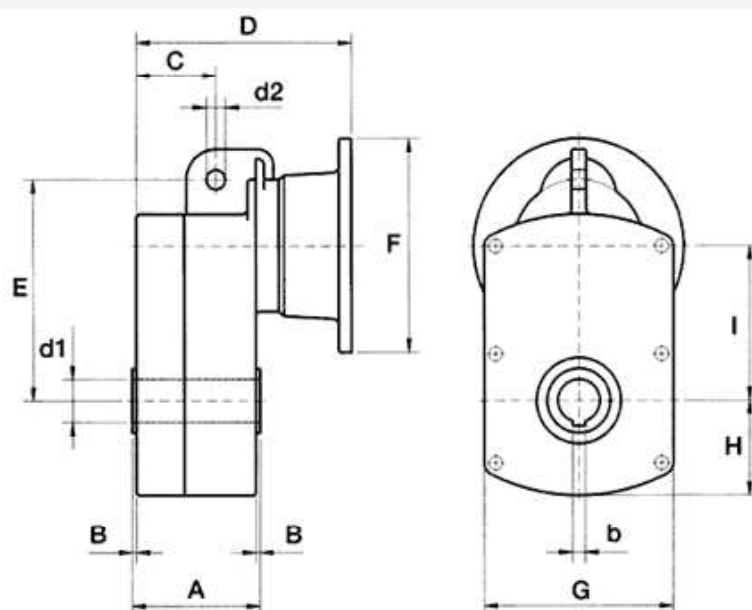


TP 315 DIMENSIONS

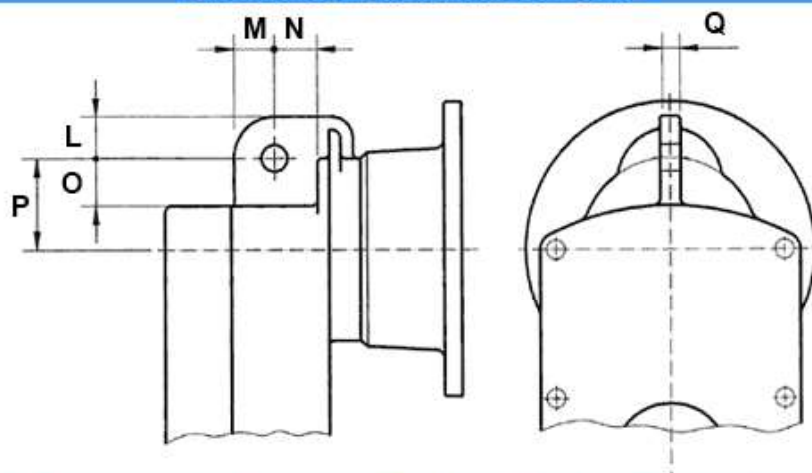


TYPE	A	B	C	D	E	F	G	H	I	d1 H7	d2	b	weight	oil quantity
TP315	142	2	96	219 229	244	200 250	210	102	174	50	22	14	43 kg	2,0 lt

EXECUTION WITH BROACHED QUILL DIN 5482

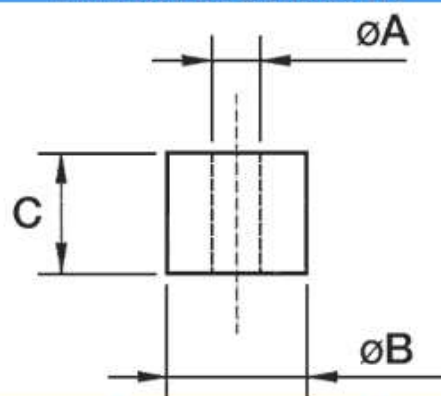
TYPE	Ø INT.	Ø EXT.	Z	MOD.
TP315	50 H11	55 H12	26	2

DIMENSIONS OF REACTION ARM CONNECTION



TYPE	L	M	N	O	P	Q
TP315	34	35	32	36	70	18

DIMENSIONS OF REACTIONS PADS



TYPE	Ø A	Ø B	C
TP315	17	50	40

The dimensions are in millimeters